

# TEA1752T; TEA1752LT

GreenChip III SMPS control IC

Rev. 02 — 24 June 2010

Product data sheet

## 1. General description

---

The GreenChip III is the third generation of green Switched Mode Power Supply (SMPS) controller ICs. The TEA1752T and TEA1752LT combine a controller for Power Factor Correction (PFC) and a flyback controller. The high level of integration facilitates the design of a cost-effective power supply using a minimum number of external components.

The special built-in green functions provide high efficiency at all power levels. This applies to quasi-resonant operation at high power levels, quasi-resonant operation with valley skipping and reduced frequency operation at lower power levels. At low power levels, the PFC switches off to maintain high efficiency.

During low power conditions, the flyback controller switches to frequency reduction mode and limits the peak current to an adjustable minimum value. This will ensure high efficiency at low power and good standby power performance while minimizing audible noise from the transformer.

The TEA1752(L)T is a MultiChip Module (MCM), containing two chips. The proprietary high voltage BCD800 process which enables direct start-up from the rectified universal mains voltage in an effective and green way and a low voltage Silicon-On Insulator (SOI) which provides accurate, high speed protection functions and control.

The TEA1752(L)T enables highly efficient and reliable supplies with power requirements of up to 250 W to be designed easily and with a minimum number of external components.

## 2. Features and benefits

---

### 2.1 Distinctive features

- Integrated PFC and flyback controller
- Universal mains supply operation (70 V (AC) to 276 V (AC))
- Dual boost PFC with accurate maximum output voltage (NXP Semiconductors patented, US patent number: US7575280)
- High level of integration, resulting in a very low external component count and a cost-effective design
- Adjustable PFC switch-off delay

### 2.2 Green features

- On-chip start-up current source



### 2.3 PFC green features

- Valley/zero voltage switching for minimum switching losses (NXP Semiconductors patented, US patent number: US6256210)
- Frequency limitation to reduce switching losses
- PFC is switched off when a low load is detected at the flyback output

### 2.4 Flyback green features

- Valley switching for minimum switching losses (NXP Semiconductors patented, US patent number: US6256210)
- Frequency reduction with fixed minimum peak current at low power operation to maintain high-efficiency at low output power levels

### 2.5 Protection features

- Safe restart mode for system fault conditions
- Continuous mode protection by means of demagnetization detection for both converters (NXP Semiconductors patented, patent number: US5032967)
- UnderVoltage Protection (UVP) (foldback during overload)
- Accurate OverVoltage Protection (OVP) for PFC
- Accurate, adjustable OverVoltage Protection (OVP) for flyback converter (NXP Semiconductors patented, patent number: US6542386)
- Mains voltage independent OverPower Protection (OPP) (NXP Semiconductors patented, patent number: US6542386)
- Open control loop protection for both converters. The open-loop protection on the flyback converter is latched on the TEA1752LT and safe restart on the TEA1752T
- IC overtemperature protection
- Low and adjustable OverCurrent Protection (OCP) trip level for both converters
- General purpose input for latched protection, e.g. to be used for system OverTemperature Protection (OTP)

## 3. Applications

---

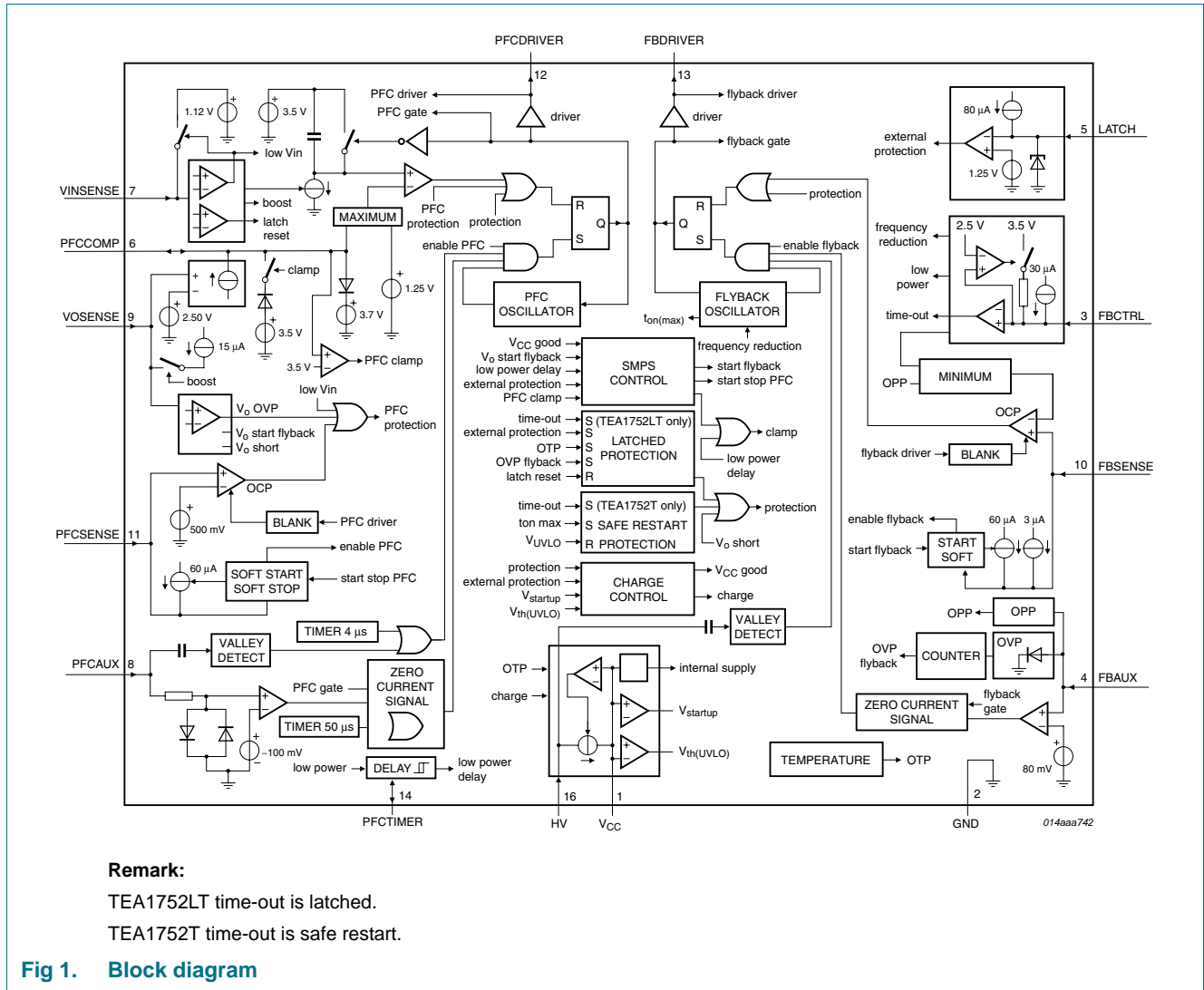
- All applications requiring efficient and cost-effective power supply solutions to 250 W. Notebook adapters in particular can benefit from the high level of integration

## 4. Ordering information

Table 1. Ordering information

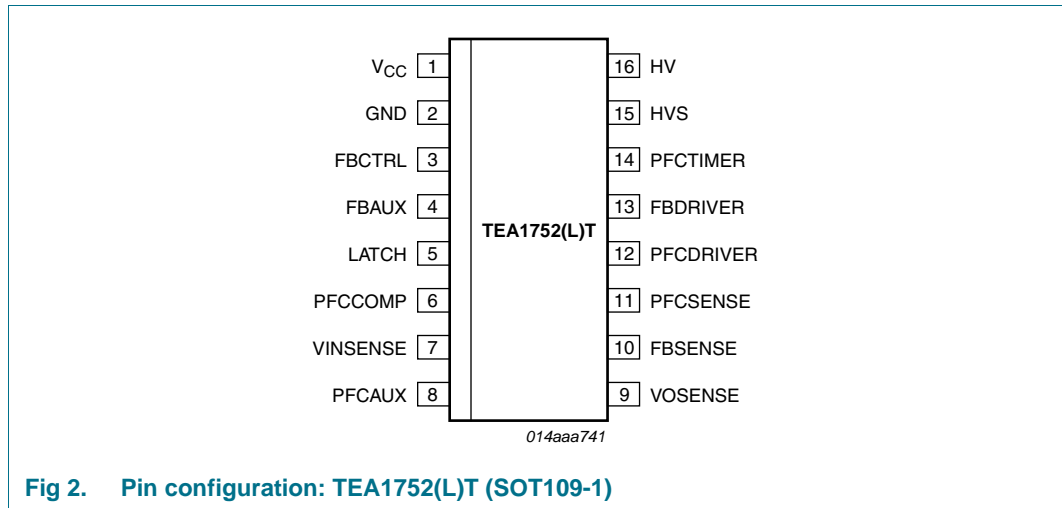
Type number	Package		
	Name	Description	Version
TEA1752T	SO16	plastic small outline package; 16 leads; body width 3.9 mm	SOT109-1
TEA1752LT	SO16	plastic small outline package; 16 leads; body width 3.9 mm	SOT109-1

5. Block diagram



## 6. Pinning information

### 6.1 Pinning



### 6.2 Pin description

Table 2. Pin description

Symbol	Pin	Description
V <sub>CC</sub>	1	supply voltage
GND	2	ground
FBCTRL	3	control input for flyback
FBAUX	4	input from auxiliary winding for demagnetization timing and overvoltage protection for flyback
LATCH	5	general purpose protection input
PFCCOMP	6	frequency compensation pin for PFC
VINSENSE	7	sense input for mains voltage
PFCAUX	8	input from auxiliary winding for demagnetization timing for PFC and valley sensing of the PFC part
VOSENSE	9	sense input for PFC output voltage
FBSNSE	10	programmable current sense input for flyback
PFCSENSE	11	programmable current sense input for PFC
PFCDRIVER	12	gate driver output for PFC
FBDRIVER	13	gate driver output for flyback
PFCTIMER	14	delay timer pin for PFC on/off control
HVS	15	high voltage safety spacer, not connected
HV	16	high voltage start-up and valley sensing of flyback part

## 7. Functional description

### 7.1 General control

The TEA1752(L)T contains controllers for a power factor correction circuit and for a flyback circuit. A typical configuration is shown in [Figure 3](#).

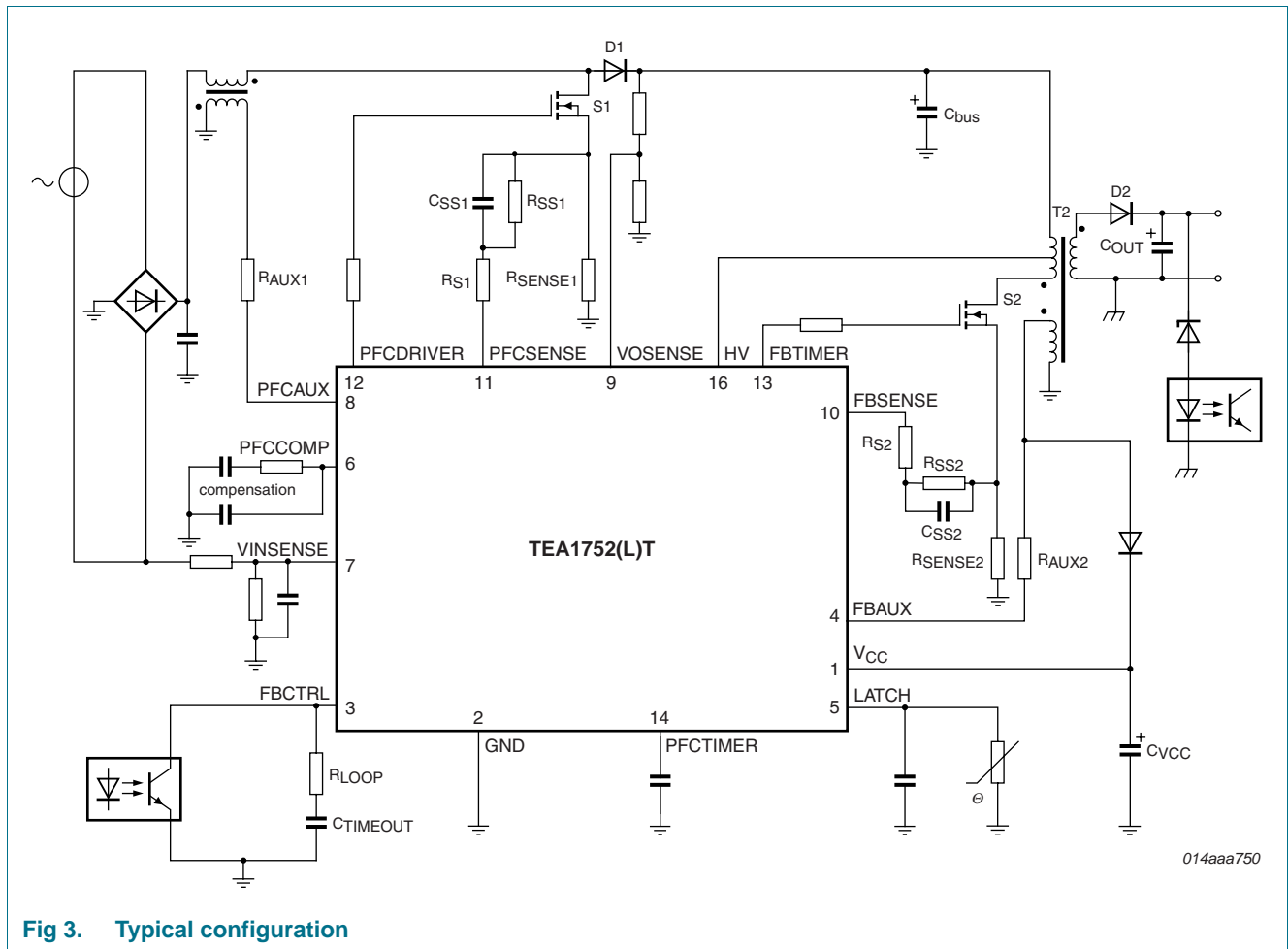


Fig 3. Typical configuration

#### 7.1.1 Start-up and UnderVoltage LockOut (UVLO)

Initially the capacitor on the  $V_{CC}$  pin is charged from the high voltage mains via the HV pin.

If  $V_{CC}$  is lower than  $V_{trip}$ , the charge current is low. This protects the IC if the  $V_{CC}$  pin is shorted to ground. The charge current above  $V_{trip}$  is increased until  $V_{CC}$  reaches  $V_{th(UVLO)}$  to achieve a short start-up time. If  $V_{CC}$  is between  $V_{th(UVLO)}$  and  $V_{startup}$ , the charge current is low again, ensuring a low duty cycle during fault conditions.

The control logic activates the internal circuitry and switches off the HV charge current when the voltage on pin  $V_{CC}$  passes the  $V_{startup}$  level. The LATCH pin current source is then activated and the soft start capacitors on pins PFCSENSE and FBSENSE are charged and the clamp circuit on pin PFCCOMP is activated. When the LATCH pin voltage exceeds  $V_{en(LATCH)}$ , the PFCCOMP pin voltage exceeds  $V_{en(PFCCOMP)}$  and the soft start capacitor on pin PFCSENSE pin is charged, the PFC circuit is activated. The flyback

converter is also activated (providing the soft start capacitor on the FBSENSE pin is charged). The flyback converter output voltage is then regulated to its nominal value. The IC supply is taken over by the auxiliary winding of the flyback converter. See [Figure 4](#).

If during start-up the LATCH pin does not reach the  $V_{en(LATCH)}$  level before  $V_{CC}$  reaches  $V_{th(UVLO)}$ , the LATCH pin output is deactivated and the charge current is switched on again.

When the flyback converter is started, the voltage on pin FBCTRL is monitored. If the flyback converter output voltage does not reach its intended regulation level in a predefined time, the voltage on pin FBCTRL reaches the  $V_{to(FBCTRL)}$  level and an error is assumed. The TEA1752T then initiates a safe restart, while in the TEA1752LT the protection is latched.

When one of the protection functions is activated, both converters stop switching and the  $V_{CC}$  voltage drops to  $V_{th(UVLO)}$ . A latched protection recharges the capacitor  $C_{VCC}$  via the HV pin, but does not restart the converters. For a safe restart protection, the capacitor is recharged via the HV pin and the device restarts. See [Figure 1](#).

In the event of an overvoltage protection of the PFC circuit where  $V_{VOSENSE} > V_{ovp(VOSENSE)}$ , the PFC controller stops switching until the VOSENSE pin voltage drops back below  $V_{ovp(VOSENSE)}$ . If a mains undervoltage is detected where  $V_{VINSENSE} < V_{stop(VINSENSE)}$ , the PFC controller stops switching until  $V_{VINSENSE} > V_{start(VINSENSE)}$ .

When the voltage on pin  $V_{CC}$  drops below the undervoltage lockout level, both controllers stop switching and reenter the safe restart mode. In this mode the driver outputs are disabled and the  $V_{CC}$  pin voltage is recharged via the HV pin.

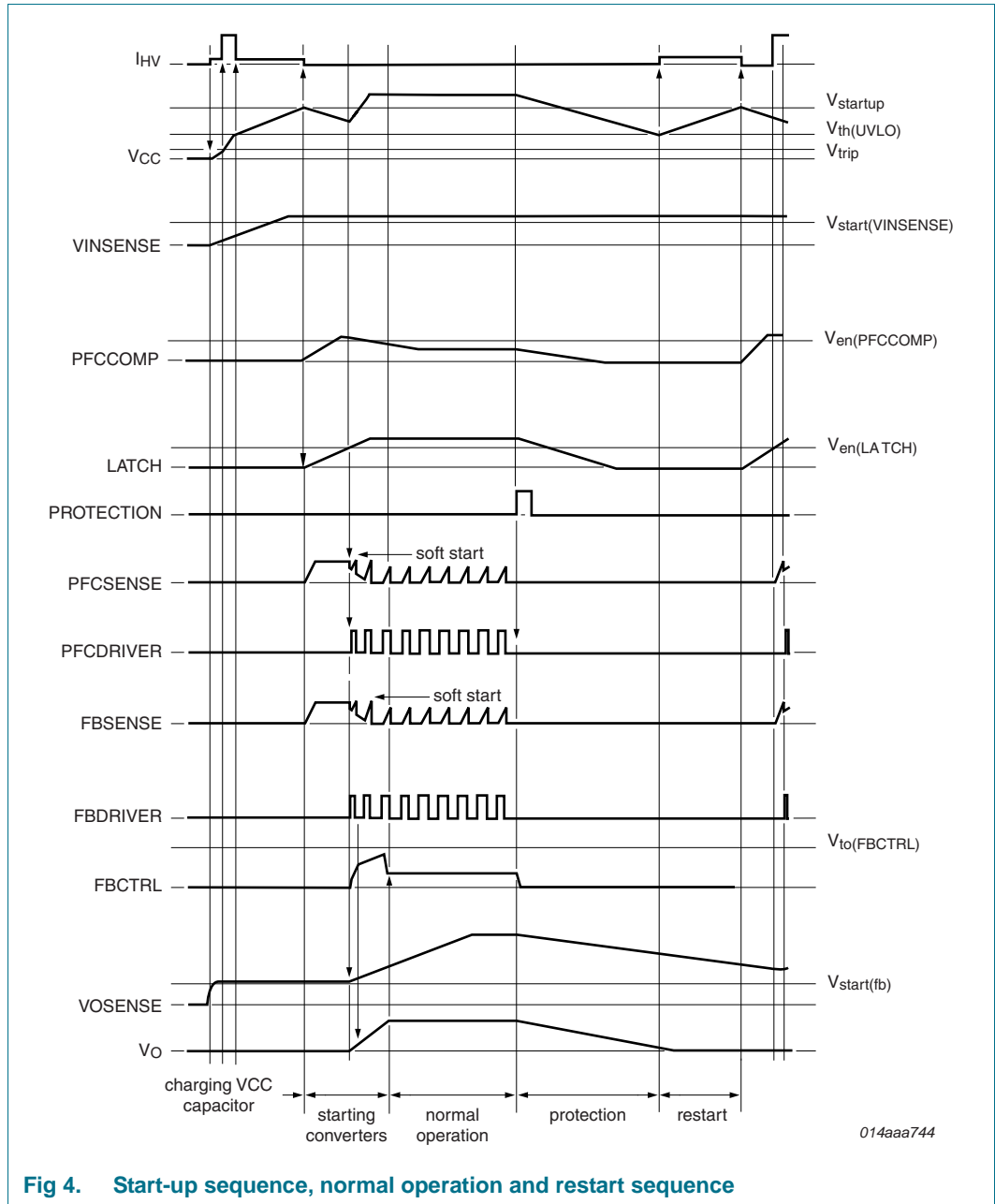


Fig 4. Start-up sequence, normal operation and restart sequence

### 7.1.2 Supply management

All internal control voltages are derived from a temperature compensated and trimmed on-chip band gap circuit. Internal reference currents are derived from a temperature compensated and trimmed on-chip current reference circuit.

### 7.1.3 Latch input

Pin LATCH is a general purpose input pin, which can be used to switch off both converters. The pin sources a current  $I_{O(LATCH)}$  (80  $\mu$ A typical). Switching off both converters is stopped as soon as the voltage on this pin drops below 1.25 V.



At initial start-up the switching is inhibited until the capacitor on the LATCH pin is charged above 1.35 V (typical). No internal filtering is carried out on this pin. An internal zener clamp of 2.9 V (typical) protects this pin from excessive voltages.

#### 7.1.4 Fast latch reset

In a typical application the mains supply can be interrupted briefly to reset the latched protection. The PFC bus capacitor,  $C_{bus}$ , does not need to discharge for this latched protection to reset.

Typically the PFC bus capacitor,  $C_{bus}$ , must discharge for the  $V_{CC}$  to drop to this reset level. When the latched protection is set, the VINSENSE clamping circuit is disabled. See [Section 7.2.10](#). When the VINSENSE voltage drops below 0.75 V (typical) then increases to 0.87 V (typical), the latched protection is reset.

The latched protection is also reset by removing the voltage on pins  $V_{CC}$  and HV.

#### 7.1.5 OverTemperature Protection (OTP)

Integrated overtemperature protection ensures the IC stops switching if the junction temperature exceeds the thermal temperature shutdown limit.

Capacitor  $C_{VCC}$  will not recharge from the HV mains while OTP is active. The OTP circuit is supplied from the HV pin if the  $V_{CC}$  supply voltage is insufficient.

OTP is a latched protection that can be reset either by removing the voltage on pins  $V_{CC}$  and HV or by the fast latch reset function. See [Section 7.1.4](#).

### 7.2 Power Factor Correction circuit (PFC)

The power factor correction circuit operates in quasi-resonant or discontinuous conduction mode with valley switching. The next primary stroke only starts when the previous secondary stroke has ended and the voltage across the PFC MOSFET has reached a minimum value. The voltage on the PFCAUX pin is used to detect transformer demagnetization and the minimum voltage across the external PFC MOSFET switch.

#### 7.2.1 $t_{on}$ control

The power factor correction circuit is operated in  $t_{on}$  control. The resulting mains harmonic reduction of a typical application is well within the class-D requirements.

#### 7.2.2 Valley switching and demagnetization (PFCAUX pin)

The PFC MOSFET is switched on after the transformer has been demagnetized. Internal circuitry connected to the PFCAUX pin detects the end of the secondary stroke. It also detects the voltage across the PFC MOSFET. The next stroke is started when the voltage across the PFC MOSFET is at its minimum in order to reduce switching losses and ElectroMagnetic Interference (EMI) (valley switching).

If no demagnetization signal is detected on the PFCAUX pin, the controller generates a Zero Current Signal (ZCS), 50  $\mu$ s (typical), after the last PFCGATE signal.

If no valley signal is detected on the PFCAUX pin, the controller generates a valley signal, 4  $\mu$ s (typical), after demagnetization was detected.

It is advisable to add a 5 k $\Omega$  series resistor to this pin to provide surge protection for the internal circuitry against events such as lightning surge. To prevent incorrect switching due to external disturbance, this resistor should be placed as close as possible to the IC on the printed-circuit board.

### 7.2.3 Frequency limitation

To optimize the transformer and minimize switching losses, the switching frequency is limited to  $f_{sw(PFC)max}$ . If the frequency for quasi-resonant operation is above the  $f_{sw(PFC)max}$  limit, the system switches over to discontinuous conduction mode. The PFC MOSFET is then only switched on at a minimum voltage across the switch (valley switching).

### 7.2.4 Mains voltage compensation (VINSENSE pin)

The mathematical equation for the transfer function of a power factor corrector contains the square of the mains input voltage. In a typical application this results in a low bandwidth for low mains input voltages, while at high mains input voltages the Mains Harmonic Reduction (MHR) requirements may be hard to meet.

The TEA1752(L)T incorporates a correction circuit to compensate for the mains input voltage influence. The average input voltage is measured via the VINSENSE pin and this information is fed to an internal compensation circuit. With this compensation it is possible to keep the regulation loop bandwidth constant over the full mains input range, yielding a fast transient response on load steps, while still complying with class-D MHR requirements.

In a typical application, the regulation loop bandwidth is set by a resistor and two capacitors on the PFCCOMP pin.

### 7.2.5 Soft start-up (pin PFCSENSE)

To prevent audible transformer noise at start-up or during hiccup, the transformer peak current is increased slowly by the soft start function. This can be achieved by inserting  $R_{SS1}$  and  $C_{SS1}$  between pin PFCSENSE and the current sense resistor,  $R_{SENSE1}$ . An internal current source charges the capacitor to  $V_{PFCSENSE} = I_{start(soft)PFC} \times R_{SS1}$ . The voltage is limited to  $V_{start(soft)PFC}$ .

The start level and time constant of the increasing primary current level can be adjusted externally by changing the values of  $R_{SS1}$  and  $C_{SS1}$ .

$$\tau_{softstart} = 3 \times R_{SS1} \times C_{SS1}$$

The charging current  $I_{start(soft)PFC}$  flows if the voltage on pin PFCSENSE is lower than 0.5 V (typical). If the voltage on pin PFCSENSE exceeds 0.5 V, the soft start current source limits current  $I_{start(soft)PFC}$ . When the PFC starts switching, the  $I_{start(soft)PFC}$  current source is switched off (see [Figure 5](#)).

Resistor  $R_{SS1}$  and capacitor  $C_{SS1}$  are also used to prevent audible noise, when the PFC is switched off by performing a soft stop.

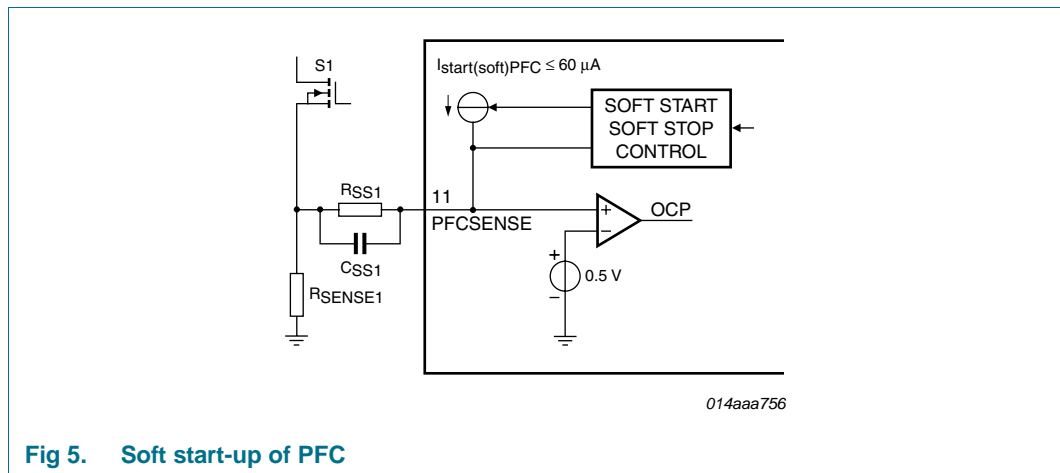


Fig 5. Soft start-up of PFC

### 7.2.6 Low power mode

When the output power of the flyback converter (see [Section 7.3](#)) is low, the flyback converter switches to frequency reduction mode. When the internal switching frequency limit of the flyback drops below 48 kHz (typical), the power factor correction circuit is switched off to maintain high efficiency. The switch-off can be delayed by connecting a capacitor to the PFCTIMER pin (see [Section 7.2.7](#)).

During low power mode operation the PFCCOMP pin is clamped to a minimum voltage of 3.5 V (typical) and a maximum voltage of 3.7 V (typical). The lower clamp voltage limits the maximum power delivered when the PFC is switched on again. The upper clamp voltage ensures the PFC can return to its normal regulation point in a limited amount of time when returning from low power mode.

The power factor correction circuit restores normal operation when the internal switching frequency limit of the flyback converter rises above 86 kHz (typical).

### 7.2.7 PFC off delay (pin PFCTIMER)

When the internal switching frequency limit of the flyback controller drops below 48 kHz (typical), the PFC is switched off. To prevent the PFC from switching off due to a fast changing load at the flyback output, the PFC switch-off can be delayed by connecting a capacitor to the PFCTIMER pin.

When the flyback controller detects a low power, it enters frequency reduction mode and the IC outputs a 10  $\mu\text{A}$  (typical) current to the PFCTIMER pin. When the voltage on the PFCTIMER pin reaches 3.6 V (typical), the PFC is switched off by performing a soft stop.

When the flyback controller part leaves the frequency reduction mode, a switch discharges the PFCTIMER pin capacitor. When the voltage on the PCTIMER pin drops below 1.27 V (typical), the PFC is switched on (see [Figure 6](#)).

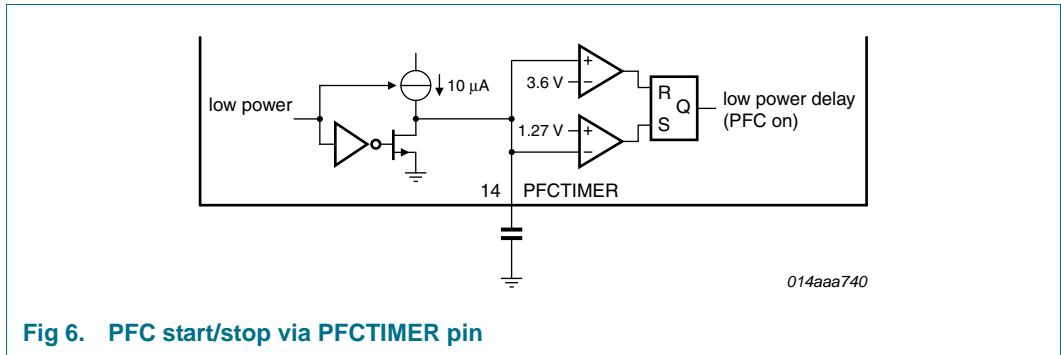


Fig 6. PFC start/stop via PFCTIMER pin

### 7.2.8 Dual boost PFC

The PFC output voltage depends on the mains input voltage. The mains input voltage is measured via the VINSENSE pin. Current is sourced from the VOSENSE pin if the voltage on the VINSENSE pin drops below 2.2 V (typical). To ensure a stable switch-over, a 200 mV transition region is inserted around the 2.2 V, see [Figure 7](#).

For low VINSENSE input voltages, the output current is 15 µA (typical). This output current, in combination with the resistors on the VOSENSE pin, sets a lower PFC output voltage level at low mains voltages. At high mains input voltages the current is switched to zero. The PFC output voltage will then be at its maximum. As this current is zero in this situation, it does not effect the accuracy of the PFC output voltage.

For proper switch-off behavior, the VOSENSE current is switched to its maximum value, (15 µA (typical)), as soon as the voltage on pin VOSENSE drops below 2.1 V (typical).

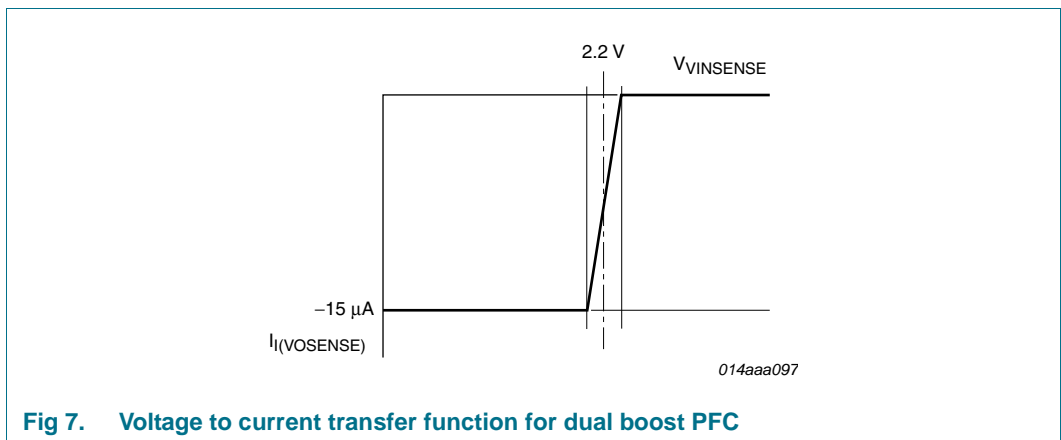


Fig 7. Voltage to current transfer function for dual boost PFC

### 7.2.9 Overcurrent protection (PFCSENSE pin)

The maximum peak current is limited cycle-by-cycle by sensing the voltage across an external sense resistor, R<sub>SENSE1</sub>, on the source of the external MOSFET. The voltage is measured via the PFCSENSE pin.

### 7.2.10 Mains undervoltage lockout/brownout protection (VINSENSE pin)

To prevent the PFC from operating at very low mains input voltages, the voltage on the VINSENSE pin is continuously monitored. When the voltage on this pin drops below the V<sub>stop(VINSENSE)</sub> level, PFC switching is stopped.

The voltage on pin VINSENSE is clamped to a minimum value,  $V_{\text{start(VINSENSE)}} + \Delta V_{\text{pu(VINSENSE)}}$ , for a fast restart when mains input voltage is restored after a mains dropout.

### 7.2.11 Overvoltage protection (VOSENSE pin)

An overvoltage protection circuit is incorporated to prevent output overvoltage during load steps and mains transients.

When voltage on the VOSENSE pin exceeds the  $V_{\text{ovp(VOSENSE)}}$  level, switching of the power factor correction circuit is inhibited. Switching of the PFC recommences when the VOSENSE pin voltage drops back below the  $V_{\text{ovp(VOSENSE)}}$  level.

When the resistor between pin VOSENSE and ground is open, the overvoltage protection is also triggered.

### 7.2.12 PFC open-loop protection (VOSENSE pin)

The power factor correction circuit will not start switching until the voltage on the VOSENSE pin is above the  $V_{\text{th(ol)(VOSENSE)}}$  level. This protects the circuit from open-loop and VOSENSE short circuit situations.

### 7.2.13 Driver (pin PFCDRIVER)

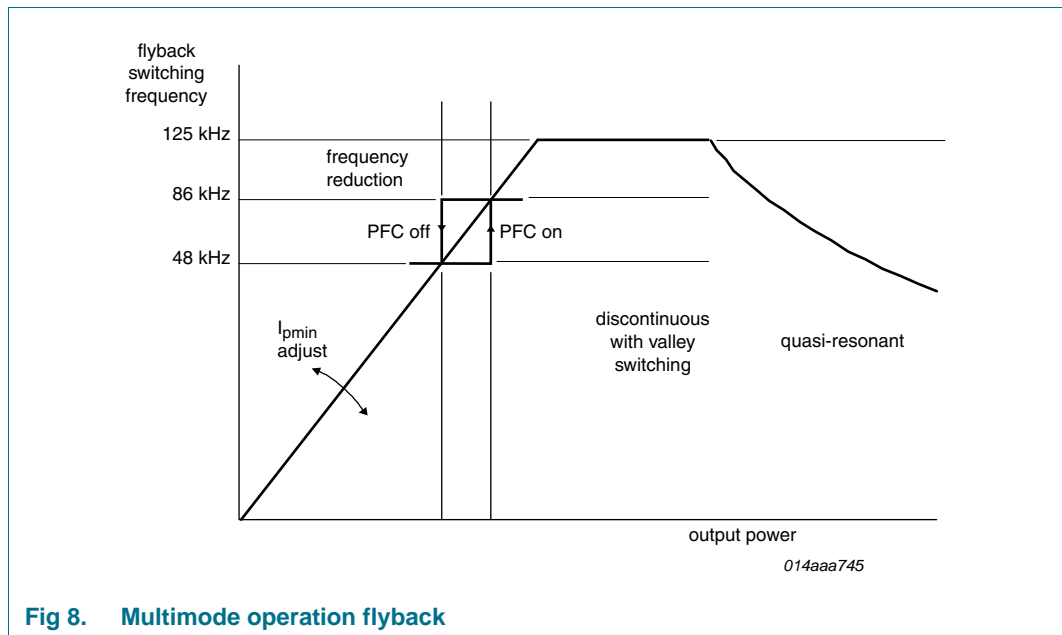
The driver circuit to the gate of the power MOSFET has a current sourcing capability of typically  $-500$  mA and a current sink capability of typically  $1.2$  A. This enables fast turn-on and turn-off of the power MOSFET for efficient operation.

## 7.3 Flyback controller

The TEA1752(L)T includes a controller for a flyback converter. The flyback converter operates in quasi-resonant or discontinuous conduction mode with valley switching. The auxiliary winding of the flyback transformer provides demagnetization detection and powers the IC after start-up.

### 7.3.1 Multimode operation

The TEA1752(L)T flyback controller can operate in several modes (see [Figure 8](#)).



**Fig 8. Multimode operation flyback**

At high output power the converter switches to quasi-resonant mode. The next converter stroke is started after demagnetization of the transformer current. In quasi-resonant mode switching losses are minimized as the converter only switches on when the voltage across the external MOSFET is at its minimum (valley switching, see [Section 7.3.2](#)).

To prevent high frequency operation at lower loads, the quasi-resonant operation changes to discontinuous mode operation with valley skipping, in which the EMI switching frequency is limited to  $f_{sw(fb)max}$  (125 kHz typical). Again, the external MOSFET is only switched on when the voltage across the MOSFET is at its minimum.

At very low power and standby levels the frequency is reduced by a Voltage Controlled Oscillator (VCO). The minimum frequency can be reduced to zero. During frequency reduction mode the primary peak current is kept constant at a minimum adjustable level to control the PFC on-power and off-power levels.  $I_{pmin}$  in frequency reduction mode will generally be greater than  $I_{pmax} / 4$ , so a high efficiency at low loads is guaranteed. As the primary peak current is low in frequency reduction operation, no audible noise is noticeable at switching frequencies in the audible range. Valley switching is also active in this mode.

In frequency reduction mode the PFC controller is switched off and the flyback maximum frequency changes linearly with the control voltage on the FBCTRL pin (see [Figure 9](#)). For stable on and off switching of the PFC, hysteresis has been added. At no load operation the switching frequency can be reduced to (almost) zero.

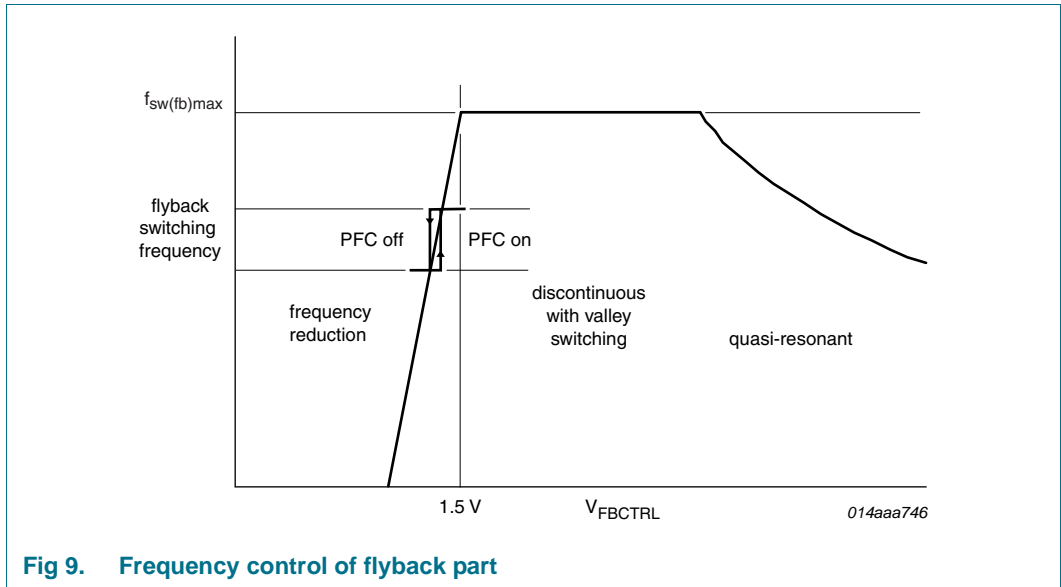


Fig 9. Frequency control of flyback part

7.3.2 Valley switching (HV pin)

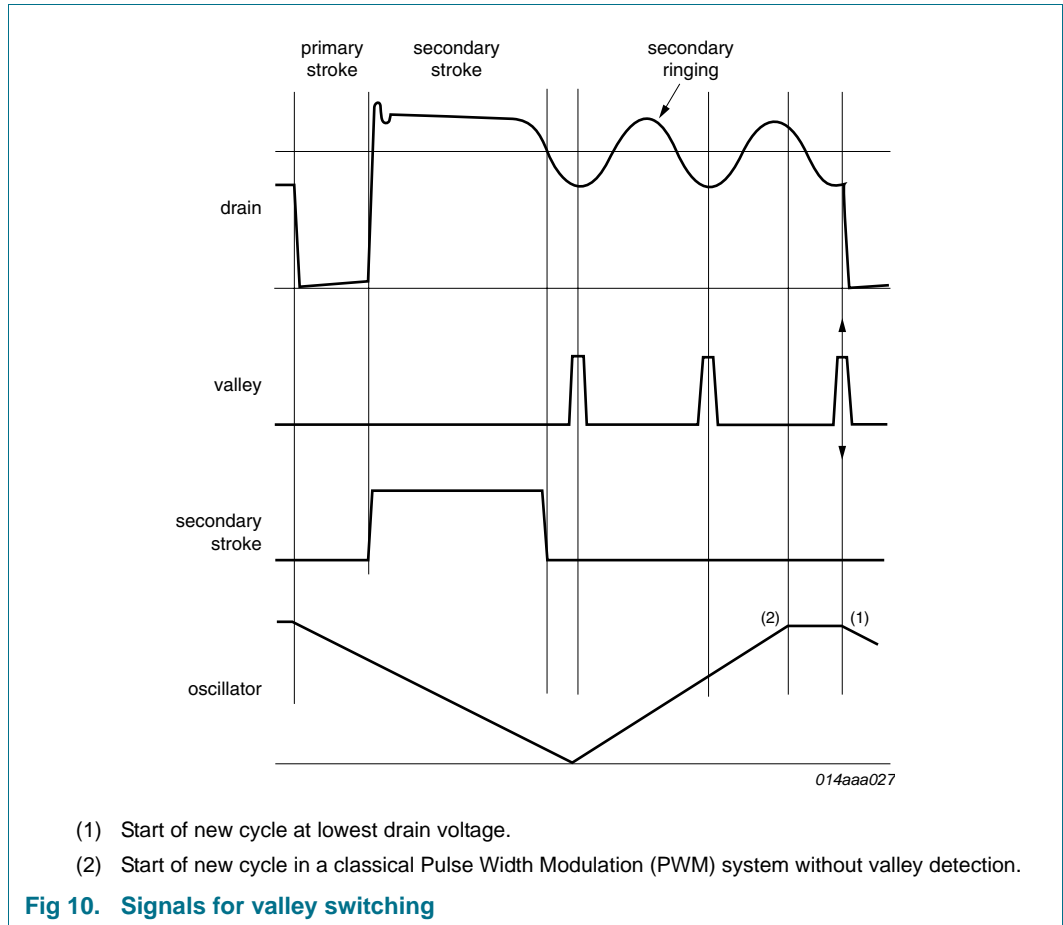
Figure 10 shows that a new cycle starts when the external MOSFET is activated. After the on-time (determined by the FBSENSE voltage and the FBCTRL voltage), the MOSFET is switched off and the secondary stroke starts. After the secondary stroke, the drain voltage shows an oscillation with a frequency of approximately  $\frac{1}{(2 \times \pi \times \sqrt{(L_p \times C_d)})}$  where  $L_p$  is

the primary self-inductance of the flyback transformer and  $C_d$  is the capacitance on the drain node.

When the internal oscillator voltage is high again and the secondary stroke has ended, the circuit waits for the lowest drain voltage before starting a new primary stroke. Figure 10 shows the drain voltage, valley signal, secondary stroke signal and the internal oscillator signal.

Valley switching allows high frequency operation as capacitive switching losses are reduced (see Equation 1). High frequency operation makes small and cost-effective magnetics possible.

$$\left( P = \frac{1}{2} \times C_d \times V^2 \times f \right) \tag{1}$$



### 7.3.3 Current mode control (FBSENSE pin)

Current mode control is used for the flyback converter for its good line regulation.

The primary current is sensed by the FBSENSE pin across external resistor  $R_{SENSE2}$  (see [Figure 3](#)) and compared with an internal control voltage. The internal control voltage is proportional to the FBCTRL pin voltage (see [Figure 11](#)).

The FBSENSE pin outputs a current of 3  $\mu\text{A}$  (typical). This current runs through resistors  $R_{S2}$  and  $R_{SS2}$  from the FBSENSE pin to the sense resistor,  $R_{SENSE2}$  and creates an offset voltage (See [Figure 3](#)). With this offset voltage, the minimum peak current of the flyback can be adjusted. Adjusting the minimum peak current level, will change the frequency reduction slope (See [Figure 8](#)).



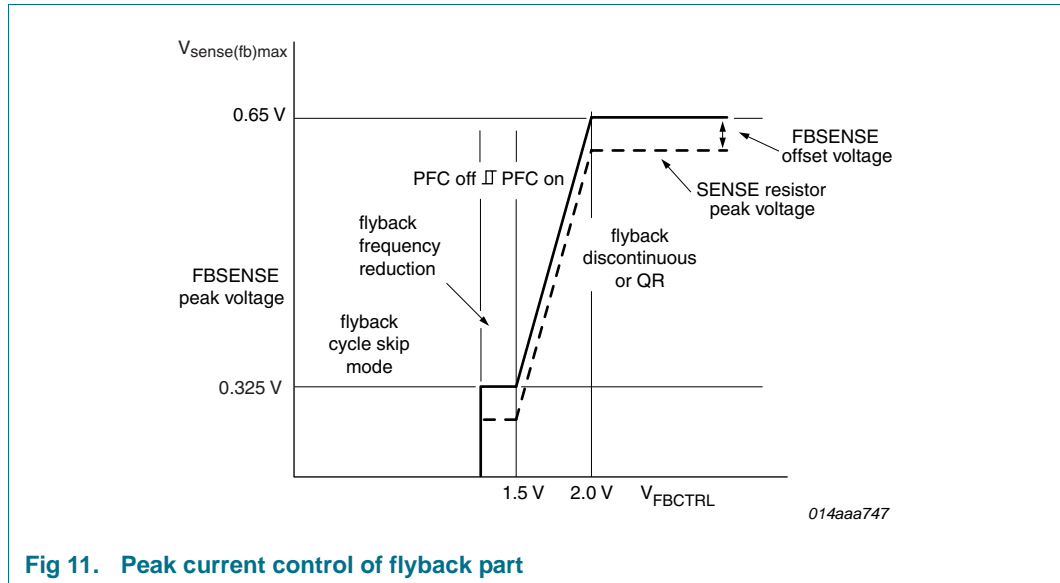


Fig 11. Peak current control of flyback part

### 7.3.4 Demagnetization (FBAUX pin)

The system is always in quasi-resonant or discontinuous conduction mode. The internal oscillator does not start a new primary stroke until the previous secondary stroke has ended.

Demagnetization features a cycle-by-cycle output short circuit protection by immediately lowering the frequency (longer off-time), thus reducing the power level.

Demagnetization recognition is suppressed during the first  $t_{sup(xfmr\_ring)}$  time (2  $\mu$ s typical). This suppression may be necessary at low output voltages and at start-up and in applications where the transformer has a large leakage inductance.

If pin FBAUX is open circuit or not connected, a fault condition is assumed and the converter stops operating immediately. Operation restarts as soon as the fault condition is removed.

### 7.3.5 Flyback control/time-out (FBCTRL pin)

The pin FBCTRL is connected to an internal voltage source of 3.5 V via an internal resistor (typical resistance is 3 k $\Omega$ ). As soon as the voltage on this pin rises above 2.5 V (typical), this connection is disabled. Above 2.5 V the pin is biased with a small current. When the voltage on this pin rises above 4.5 V (typical), a fault is assumed and switching is inhibited. In the TEA1752T a restart will then be made, while in the TEA1752LT the protection will be latched.

When a small capacitor is connected to this pin, a time-out function can be created to protect against an open control loop situation. (see [Figure 12](#) and [Figure 13](#)) The time-out function can be disabled by connecting a resistor (100 k $\Omega$ ) to ground on the FBCTRL pin.

If the pin is shorted to ground, switching of the flyback controller is inhibited.

In normal operating conditions, when the converter is regulating the output voltage, the voltage on the FBCTRL pin is between 1.4 V (typical) and 2.0 V (typical) from minimum to maximum output power.

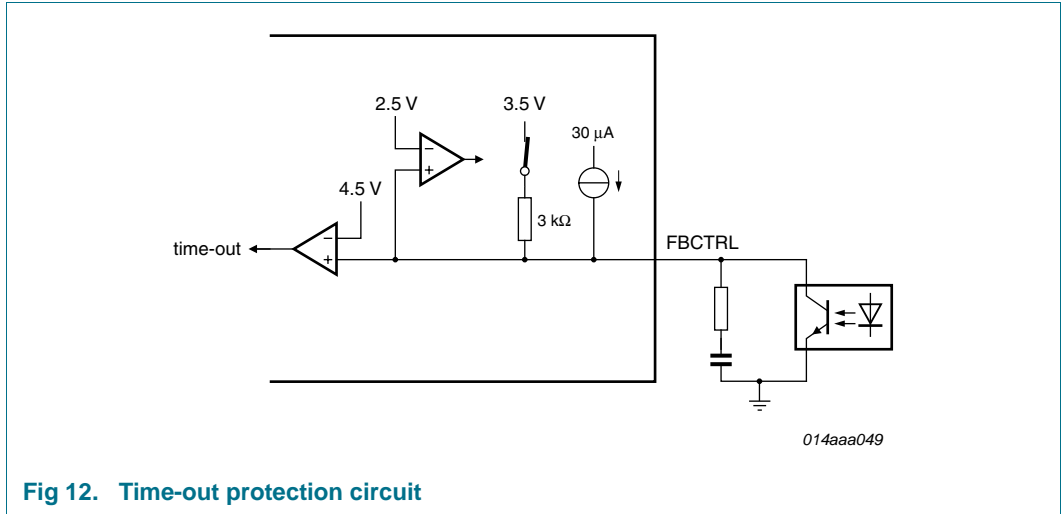


Fig 12. Time-out protection circuit

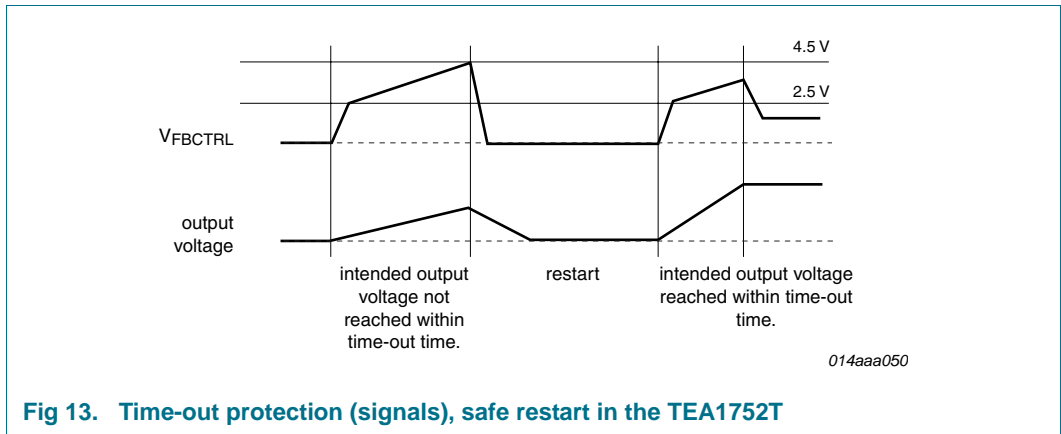


Fig 13. Time-out protection (signals), safe restart in the TEA1752T

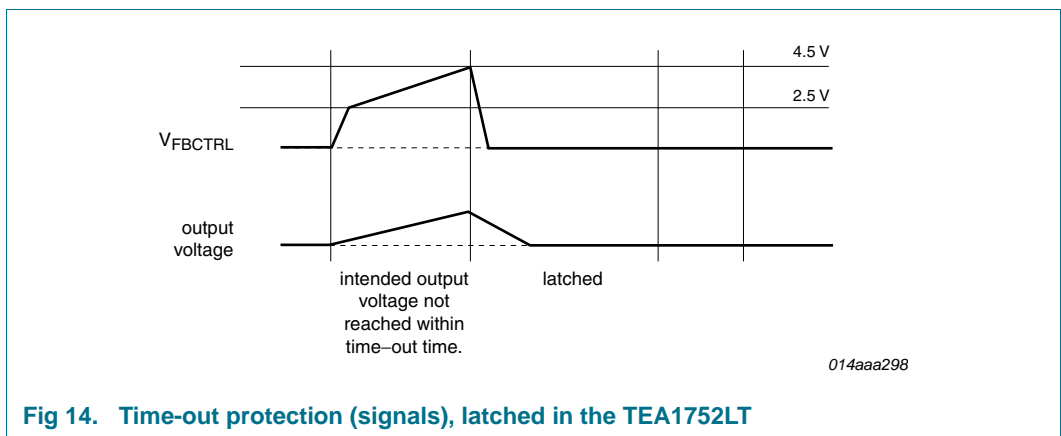


Fig 14. Time-out protection (signals), latched in the TEA1752LT

### 7.3.6 Soft start-up (pin FBSENSE)

To prevent audible transformer noise during start-up, the transformer peak current is slowly increased by the soft start function. This can be achieved by inserting a resistor ( $R_{SS2}$ ) and a capacitor ( $C_{SS2}$ ) between pin 10 (FBSENSE) and the current sense resistor.

An internal current source charges the capacitor to  $V = I_{\text{start(soft)fb}} \times R_{\text{SS2}}$ , with a maximum of approximately 0.63 V.

The start level and the time constant of the increasing primary current level can be externally adjusted by changing the values of  $R_{\text{SS2}}$  and  $C_{\text{SS2}}$ .

$$\tau_{\text{softstart}} = 3 \times R_{\text{SS2}} \times C_{\text{SS2}}$$

The soft start current  $I_{\text{start(soft)fb}}$  is switched on when  $V_{\text{CC}}$  reaches  $V_{\text{startup}}$ . When the voltage on pin FBSENSE has reached 0.63 V the flyback converter starts switching.

The charging current  $I_{\text{start(soft)PFC}}$  flows if voltage on pin FBSENSE is below approximately 0.63 V. If the voltage on pin FBSENSE exceeds 0.63 V, the soft start current source limits the current. Once the flyback converter has started, the soft start current source is switched off.

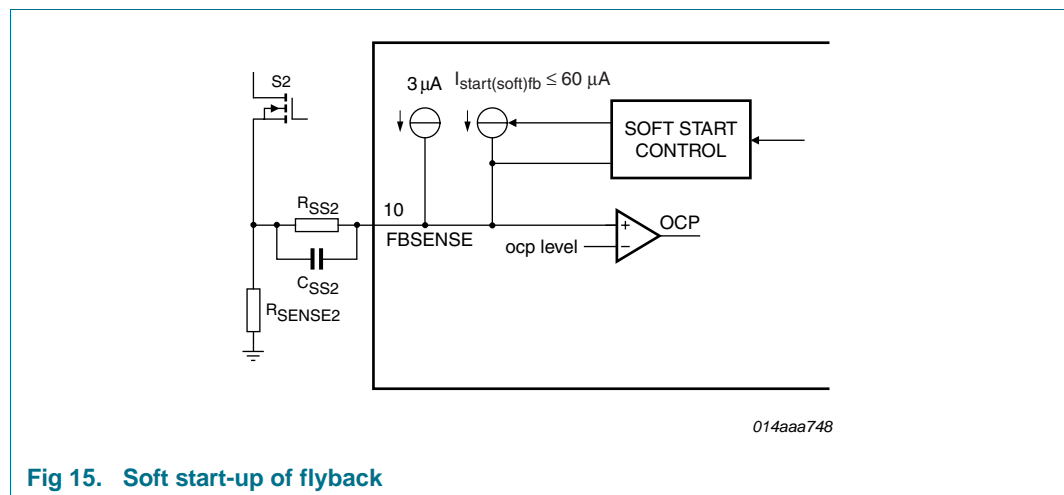


Fig 15. Soft start-up of flyback

### 7.3.7 Maximum on-time

The flyback controller limits the 'on-time' of the external MOSFET to 40  $\mu\text{s}$  (typical). When the 'on-time' is longer than 40  $\mu\text{s}$ , the IC stops switching and enters the safe restart mode.

### 7.3.8 Overvoltage protection (FBAUX pin)

An output overvoltage protection is implemented in the GreenChip III series. This operates for the TEA1752(L)T by sensing the auxiliary voltage via the current flowing into pin FBAUX during the secondary stroke. The auxiliary winding voltage is a well defined replica of the output voltage. Voltage spikes are averaged by an internal filter.

If the output voltage exceeds the OVP trip level, an internal counter starts counting subsequent OVP events. The counter has been added to prevent incorrect OVP detection which might occur during ESD or lightning events. If the output voltage exceeds the OVP trip level a few times and then not again in a subsequent cycle, the internal counter counts down at twice the speed it uses when counting up. However, when typically eight cycles of subsequent OVP events are detected, the IC assumes a true OVP and the OVP circuit switches the power MOSFET off. As the protection is latched, the converter only restarts after the internal latch is reset. In a typical application the mains should be interrupted to reset the internal latch.

The output voltage  $V_{o(OVP)}$  at which the OVP function trips, can be set by the demagnetization resistor,  $R_{FBAUX}$  :

$$V_{o(OVP)} = \frac{N_s}{N_{aux}} (I_{ovp(FBAUX)} \times R_{FBAUX} + V_{clamp(FBAUX)})$$

where  $N_s$  is the number of secondary turns and  $N_{aux}$  is the number of auxiliary turns of the transformer. The current  $I_{ovp(FBAUX)}$  is internally trimmed.

The value of  $R_{FBAUX}$  can be adjusted to the turns ratio of the transformer, making an accurate OVP detection possible.

**7.3.9 Overcurrent protection (FBSENSE pin)**

The primary peak current in the transformer is accurately measured cycle-by-cycle using external sense resistor  $R_{SENSE2}$ . The OCP circuit limits the voltage on pin FBSENSE to an internal level (see [Section 7.3.3](#)). The OCP detection is suppressed during the leading edge blanking period,  $t_{leb}$ , to prevent false triggering caused by switch-on spikes.

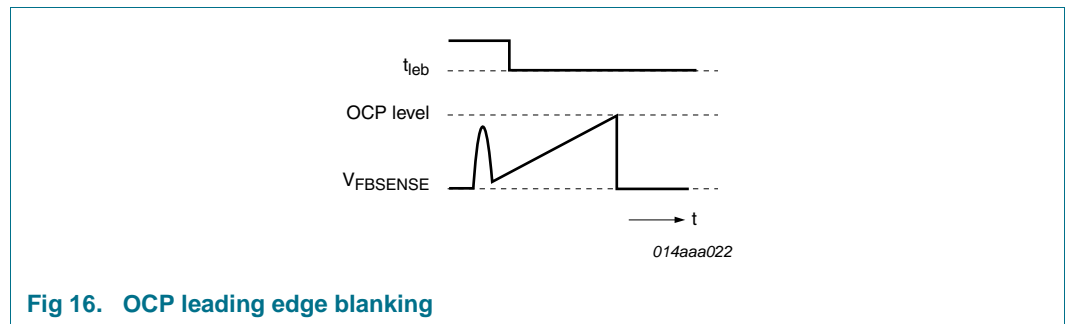


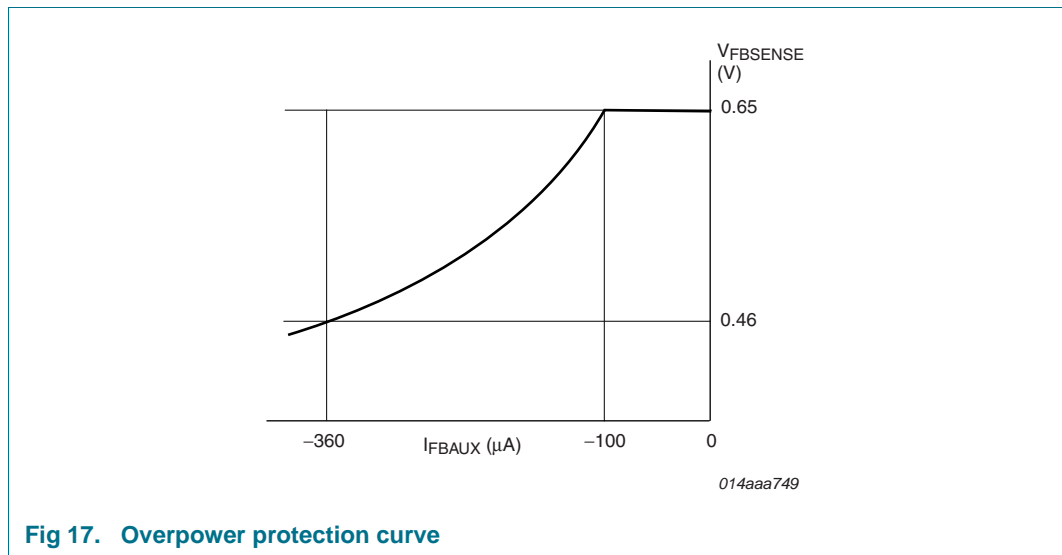
Fig 16. OCP leading edge blanking

**7.3.10 Overpower protection**

During the primary stroke of the flyback converter its input voltage is measured by sensing the current that is drawn from pin FBAUX.

This information is used to adjust the peak drain current of the flyback converter measured via pin FBSENSE. The internal compensation is such that an almost input voltage independent maximum output power can be realized.

The OPP curve is given in [Figure 17](#).



7.3.11 Driver (pin FBDRIVER)

The driver circuit to the gate of the external power MOSFET has a current sourcing capability of typically -500 mA and a current sink capability of typically 1.2 A. This enables fast turn-on and turn-off of the power MOSFET for efficient operation.

8. Limiting values

Table 3. Limiting values

In accordance with the Absolute Maximum Rating System (IEC 60134).

Symbol	Parameter	Conditions	Min	Max	Unit
<b>Voltages</b>					
V <sub>CC</sub>	supply voltage		-0.4	+38	V
V <sub>LATCH</sub>	voltage on pin LATCH	current limited	-0.4	+5	V
V <sub>FBCTRL</sub>	voltage on pin FBCTRL		-0.4	+5	V
V <sub>PFCCOMP</sub>	voltage on pin PFCCOMP		-0.4	+5	V
V <sub>VINSENSE</sub>	voltage on pin VINSENSE		-0.4	+5	V
V <sub>VOSENSE</sub>	voltage on pin VOSENSE		-0.4	+5	V
V <sub>PFCAUX</sub>	voltage on pin PFCAUX		-25	+25	V
V <sub>FBSNSE</sub>	voltage on pin FBSNSE	current limited	-0.4	+5	V
V <sub>PFCSNSE</sub>	voltage on pin PFCSNSE	current limited	-0.4	+5	V
V <sub>PFCTIMER</sub>	voltage on pin PFCTIMER		-0.4	+5	V
V <sub>HV</sub>	voltage on pin HV		-0.4	+650	V
<b>Currents</b>					
I <sub>FBCTRL</sub>	current on pin FBCTRL		-3	0	mA
I <sub>FBAUX</sub>	current on pin FBAUX		-1	+1	mA
I <sub>PFCSNSE</sub>	current on pin PFCSNSE		-1	+10	mA
I <sub>FBSNSE</sub>	current on pin FBSNSE		-1	+10	mA
I <sub>FBDRIVER</sub>	current on pin FBDRIVER	duty cycle < 10 %	-0.8	+2	A

**Table 3. Limiting values ...continued**  
*In accordance with the Absolute Maximum Rating System (IEC 60134).*

Symbol	Parameter	Conditions	Min	Max	Unit
$I_{\text{PFCDRIVER}}$	current on pin PFCDRIVER	duty cycle < 10 %	-0.8	+2	A
$I_{\text{HV}}$	current on pin HV		-	8	mA
<b>General</b>					
$P_{\text{tot}}$	total power dissipation	$T_{\text{amb}} < 75\text{ °C}$	-	0.6	W
$T_{\text{stg}}$	storage temperature		-55	+150	°C
$T_{\text{j}}$	junction temperature		-40	+150	°C
<b>ESD</b>					
$V_{\text{ESD}}$	electrostatic discharge voltage	class 1 human body model			
		pins 1 to 13	[1] -	2000	V
		pin 16 (HV)	[1] -	1500	V
		machine model	[2] -	200	V
		charged device model	-	500	V

[1] Equivalent to discharging a 100 pF capacitor through a 1.5 kΩ series resistor.

[2] Equivalent to discharging a 200 pF capacitor through a 0.75 μH coil and a 10 Ω resistor.

## 9. Thermal characteristics

**Table 4. Thermal characteristics**

Symbol	Parameter	Conditions	Typ	Unit
$R_{\text{th(j-a)}}$	thermal resistance from junction to ambient	in free air; JEDEC test board	124	K/W
$R_{\text{th(j-c)}}$	thermal resistance from junction to case	in free air; JEDEC test board	37	K/W

## 10. Characteristics

**Table 5. Characteristics**

$T_{\text{amb}} = 25\text{ °C}$ ;  $V_{\text{CC}} = 20\text{ V}$ ; all voltages are measured with respect to ground (pin 2); currents are positive when flowing into the IC; unless otherwise specified.

Symbol	Parameter	Conditions	Min	Typ	Max	Unit
<b>Start-up current source (pin HV)</b>						
$I_{\text{HV}}$	current on pin HV	$V_{\text{HV}} > 80\text{ V}$				
		$V_{\text{CC}} < V_{\text{trip}}$ ; $V_{\text{th(UVLO)}} < V_{\text{CC}} < V_{\text{startup}}$	-	1.0	-	mA
		$V_{\text{trip}} < V_{\text{CC}} < V_{\text{th(UVLO)}}$	-	5.4	-	mA
		with auxiliary supply	8	20	40	μA
$V_{\text{BR}}$	breakdown voltage		650	-	-	V
<b>Supply voltage management (pin <math>V_{\text{CC}}</math>)</b>						
$V_{\text{trip}}$	trip voltage		0.55	0.65	0.75	V

**Table 5. Characteristics ...continued**

$T_{amb} = 25\text{ }^{\circ}\text{C}$ ;  $V_{CC} = 20\text{ V}$ ; all voltages are measured with respect to ground (pin 2); currents are positive when flowing into the IC; unless otherwise specified.

Symbol	Parameter	Conditions	Min	Typ	Max	Unit	
$V_{startup}$	start-up voltage		21	22	23	V	
$V_{th(UVLO)}$	undervoltage lockout threshold voltage		14	15	16	V	
$V_{start(hys)}$	hysteresis of start voltage	during start-up phase	-	300	-	mV	
$V_{hys}$	hysteresis voltage	$V_{startup} - V_{th(UVLO)}$	6.3	7	7.7	V	
$I_{ch(low)}$	low charging current	$V_{HV} > 80\text{ V}$ ; $V_{CC} < V_{trip}$ or $V_{th(UVLO)} < V_{CC} < V_{startup}$	-1.2	-1.0	-0.8	mA	
$I_{ch(high)}$	high charging current	$V_{HV} > 80\text{ V}$ ; $V_{trip} < V_{CC} < V_{th(UVLO)}$	-4.6	-5.4	-6.3	mA	
$I_{CC(oper)}$	operating supply current	no load on pins FBDRIVER and PFCDRIVER	2.25	3	3.75	mA	
<b>Input voltage sensing PFC (pin VINSENSE)</b>							
$V_{stop(VINSENSE)}$	stop voltage on pin VINSENSE		0.86	0.89	0.92	V	
$V_{start(VINSENSE)}$	start voltage on pin VINSENSE		1.11	1.15	1.19	V	
$\Delta V_{pu(VINSENSE)}$	pull-up voltage difference on pin VINSENSE	active after $V_{stop(VINSENSE)}$ is detected	-	-100	-	mV	
$I_{pu(VINSENSE)}$	pull-up current on pin VINSENSE	active after $V_{stop(VINSENSE)}$ is detected	-55	-47	-40	$\mu\text{A}$	
$V_{mvc(VINSENSE)max}$	maximum mains voltage compensation voltage on pin VINSENSE		4.0	-	-	V	
$V_{flr}$	fast latch reset voltage	active after $V_{th(UVLO)}$ is detected	-	0.75	-	V	
$V_{flr(hys)}$	hysteresis of fast latch reset voltage		-	0.12	-	V	
$I_{I(VINSENSE)}$	input current on pin VINSENSE	$V_{VINSENSE} > V_{stop(VINSENSE)}$ after $V_{start(VINSENSE)}$ is detected	5	33	100	nA	
$V_{bst(dual)}$	dual boost voltage	current switch-over point	-	2.2	-	V	
		switch-over region	-	200	-	mV	
<b>Loop compensation PFC (pin PFCCOMP)</b>							
$g_m$	transconductance	$V_{VOSENSE}$ to $I_{O(PFCCOMP)}$	60	80	100	$\mu\text{A/V}$	
$I_{O(PFCCOMP)}$	output current on pin PFCCOMP	$V_{VOSENSE} = 2.0\text{ V}$	33	39	45	$\mu\text{A}$	
		$V_{VOSENSE} = 3.3\text{ V}$	-45	-39	-33	$\mu\text{A}$	
$V_{en(PFCCOMP)}$	enable voltage on pin PFCCOMP		-	3.5	-	V	
$V_{clamp(PFCCOMP)}$	clamp voltage on pin PFCCOMP	low power mode; PFC off; lower clamp voltage	[1]	-	3.5	-	V
		upper clamp voltage	[1]	-	3.7	-	V
$V_{ton(PFCCOMP)zero}$	zero on-time voltage on pin PFCCOMP		3.4	3.5	3.6	V	
$V_{ton(PFCCOMP)max}$	maximum on-time voltage on pin PFCCOMP		1.20	1.25	1.30	V	

**Table 5. Characteristics ...continued**

$T_{amb} = 25\text{ }^{\circ}\text{C}$ ;  $V_{CC} = 20\text{ V}$ ; all voltages are measured with respect to ground (pin 2); currents are positive when flowing into the IC; unless otherwise specified.

Symbol	Parameter	Conditions	Min	Typ	Max	Unit
<b>Pulse width modulator PFC</b>						
$t_{on(PFC)}$	PFC on-time	$V_{VINSENSE} = 3.3\text{ V}$ ; $V_{PFCCOMP} = V_{ton(PFCCOMP)max}$	3.6	4.5	5.0	$\mu\text{s}$
		$V_{VINSENSE} = 0.9\text{ V}$ ; $V_{PFCCOMP} = V_{ton(PFCCOMP)max}$	30	40	53	$\mu\text{s}$
<b>Output voltage sensing PFC (pin VOSENSE)</b>						
$V_{th(ol)(VOSENSE)}$	open-loop threshold voltage on pin VOSENSE		-	1.15	-	V
$V_{reg(VOSENSE)}$	regulation voltage on pin VOSENSE	for $I_{O(PFCCOMP)} = 0$	2.475	2.500	2.525	V
$V_{ovp(VOSENSE)}$	overvoltage protection voltage on pin VOSENSE		2.60	2.63	2.67	V
$I_{bst(dual)}$	dual boost current	$V_{VINSENSE} < V_{bst(dual)}$ or $V_{VOSENSE} < 2.1\text{ V}$	-	-15	-	$\mu\text{A}$
		$V_{VINSENSE} > V_{bst(dual)}$	-	-30	-	nA
<b>Overcurrent protection PFC (pin PFCSENSE)</b>						
$V_{sense(PFC)max}$	maximum PFC sense voltage	$\Delta V/\Delta t = 50\text{ mV}/\mu\text{s}$	0.49	0.52	0.55	V
		$\Delta V/\Delta t = 200\text{ mV}/\mu\text{s}$	0.51	0.54	0.57	V
$t_{leb(PFC)}$	PFC leading edge blanking time		250	310	370	ns
$I_{prot(PFCSENSE)}$	protection current on pin PFCSENSE		-50	-	-5	nA
<b>Soft start PFC (pin PFCSENSE)</b>						
$I_{start(soft)PFC}$	PFC soft start current		-75	-60	-45	$\mu\text{A}$
$V_{start(soft)PFC}$	PFC soft start voltage	enabling voltage	0.46	0.50	0.54	V
$V_{stop(soft)PFC}$	PFC soft stop voltage	disabling voltage	0.42	0.45	0.48	V
$R_{start(soft)PFC}$	PFC soft start resistance		12	-	-	k $\Omega$
<b>Oscillator PFC</b>						
$f_{sw(PFC)max}$	maximum PFC switching frequency		-	250	-	kHz
$t_{off(PFC)min}$	minimum PFC off-time		0.8	1.1	1.4	$\mu\text{s}$
<b>Valley switching PFC (pin PFCAUX)</b>						
$(\Delta V/\Delta t)_{vrec(PFC)}$	PFC valley recognition voltage change with time		-	-	1.7	V/ $\mu\text{s}$
$t_{vrec(PFC)}$	PFC valley recognition time	$V_{PFCAUX} = 1\text{ V}$ peak-to-peak	<a href="#">2</a> -	-	300	ns
		demagnetization to $\Delta V/\Delta t = 0$	<a href="#">3</a> -	-	50	ns
$t_{to(vrec)PFC}$	PFC valley recognition time-out time		3	4	6	$\mu\text{s}$
<b>Demagnetization management PFC (pin PFCAUX)</b>						
$V_{th(comp)PFCAUX}$	comparator threshold voltage on pin PFCAUX		-150	-100	-50	mV
$t_{to(demag)PFC}$	PFC demagnetization time-out time		40	50	60	$\mu\text{s}$



**Table 5. Characteristics ...continued**

$T_{amb} = 25\text{ }^{\circ}\text{C}$ ;  $V_{CC} = 20\text{ V}$ ; all voltages are measured with respect to ground (pin 2); currents are positive when flowing into the IC; unless otherwise specified.

Symbol	Parameter	Conditions	Min	Typ	Max	Unit
$I_{prot}(PFCAUX)$	protection current on pin PFCAUX	$V_{PFCAUX} = 50\text{ mV}$	-75	-	-5	nA
<b>PFC off delay (pin PFCTIMER)</b>						
$I_{source}(PFCTIMER)$	source current on pin PFCTIMER		-	-10	-	$\mu\text{A}$
$I_{sink}(PFCTIMER)$	sink current on pin PFCTIMER		-	0.9	-	mA
$V_{start}(PFCTIMER)$	start voltage on pin PFCTIMER		-	1.27	-	V
$V_{stop}(PFCTIMER)$	stop voltage on pin PFCTIMER		-	3.6	-	V
<b>Driver (pin PFCDRIVER)</b>						
$I_{src}(PFCDRIVER)$	source current on pin PFCDRIVER	$V_{PFCDRIVER} = 2\text{ V}$	-	-0.5	-	A
$I_{sink}(PFCDRIVER)$	sink current on pin PFCDRIVER	$V_{PFCDRIVER} = 2\text{ V}$	-	0.7	-	A
		$V_{PFCDRIVER} = 10\text{ V}$	-	1.2	-	A
$V_{O}(PFCDRIVER)_{max}$	maximum output voltage on pin PFCDRIVER		-	11	12	V
<b>Overvoltage protection flyback (pin FBAUX)</b>						
$I_{ovp}(FBAUX)$	overvoltage protection current on pin FBAUX		279	300	321	$\mu\text{A}$
$N_{cy}(ovp)$	number of overvoltage protection cycles		6	8	12	
<b>Demagnetization management flyback (pin FBAUX)</b>						
$V_{th}(comp)_{FBAUX}$	comparator threshold voltage on pin FBAUX		60	80	110	mV
$I_{prot}(FBAUX)$	protection current on pin FBAUX	$V_{FBAUX} = 50\text{ mV}$	-75	-	-5	nA
$V_{clamp}(FBAUX)$	clamp voltage on pin FBAUX	$I_{FBAUX} = -100\text{ }\mu\text{A}$	-0.85	-0.7	-0.55	V
		$I_{FBAUX} = 300\text{ }\mu\text{A}$	0.79	0.94	1.09	V
$t_{sup}(xfmr\_ring)$	transformer ringing suppression time		1.5	2	2.5	$\mu\text{s}$
<b>Pulse width modulator flyback</b>						
$t_{on(fb)min}$	minimum flyback on-time		-	$t_{leb}$	-	ns
$t_{on(fb)max}$	maximum flyback on-time		32	40	48	$\mu\text{s}$
<b>Oscillator flyback</b>						
$f_{sw(fb)max}$	maximum flyback switching frequency		100	125	150	kHz
$V_{start}(VCO)_{FBCTRL}$	VCO start voltage on pin FBCTRL		1.3	1.5	1.7	V
$f_{sw(fb)swon}(PFC)$	PFC switch-on flyback switching frequency		-	86	-	kHz
$f_{sw(fb)swoff}(PFC)$	PFC switch-off flyback switching frequency		-	48	-	kHz
$\Delta V_{VCO}(FBCTRL)$	VCO voltage difference on pin FBCTRL		-	-0.2	-	V

**Table 5. Characteristics ...continued**

$T_{amb} = 25\text{ }^{\circ}\text{C}$ ;  $V_{CC} = 20\text{ V}$ ; all voltages are measured with respect to ground (pin 2); currents are positive when flowing into the IC; unless otherwise specified.

Symbol	Parameter	Conditions	Min	Typ	Max	Unit	
<b>Peak current control flyback (pin FBCTRL)</b>							
$V_{FBCTRL}$	voltage on pin FBCTRL	for maximum flyback peak current	1.85	2.0	2.15	V	
$V_{to(FBCTRL)}$	time-out voltage on pin FBCTRL	enable voltage	-	2.5	-	V	
		trip voltage	4.2	4.5	4.8	V	
$R_{int(FBCTRL)}$	internal resistance on pin FBCTRL		-	3	-	k $\Omega$	
$I_{O(FBCTRL)}$	output current on pin FBCTRL	$V_{FBCTRL} = 0\text{ V}$	-1.4	-1.19	-0.93	mA	
		$V_{FBCTRL} = 2\text{ V}$	-0.6	-0.5	-0.4	mA	
$I_{to(FBCTRL)}$	time-out current on pin FBCTRL	$V_{FBCTRL} = 2.6\text{ V}$	-36	-30	-24	$\mu\text{A}$	
		$V_{FBCTRL} = 4.1\text{ V}$	-34.5	-28.5	-22.5	$\mu\text{A}$	
<b>Valley switching flyback (pin HV)</b>							
$(\Delta V/\Delta t)_{vrec(fb)}$	flyback valley recognition voltage change with time		-75	-	+75	V/ $\mu\text{s}$	
$t_{d(vrec-swon)}$	valley recognition to switch-on delay time		[4]	-	150	-	ns
<b>Soft start flyback (pin FBSENSE)</b>							
$I_{start(soft)fb}$	flyback soft start current		-75	-60	-45	$\mu\text{A}$	
$V_{start(soft)fb}$	flyback soft start voltage	enable voltage	0.55	0.63	0.70	V	
$R_{start(soft)fb}$	flyback soft start resistance		16	-	-	k $\Omega$	
<b>Overcurrent protection flyback (pin FBSENSE)</b>							
$V_{sense(fb)max}$	maximum flyback sense voltage	$\Delta V/\Delta t = 50\text{ mV}/\mu\text{s}$	0.61	0.65	0.69	V	
		$\Delta V/\Delta t = 200\text{ mV}/\mu\text{s}$	0.64	0.68	0.72	V	
$V_{sense(fb)min}$	minimum flyback sense voltage	$\Delta V/\Delta t = 50\text{ mV}/\mu\text{s}$	0.305	0.325	0.345	V	
$t_{leb(fb)}$	flyback leading edge blanking time		255	305	355	ns	
$I_{adj(FBSENSE)}$	adjust current on pin FBSENSE	peak current	-3.2	-3.0	-2.8	$\mu\text{A}$	
<b>Overpower protection flyback (pin FBSENSE)</b>							
$V_{sense(fb)max}$	maximum flyback sense voltage	$\Delta V/\Delta t = 50\text{ mV}/\mu\text{s}$					
		$I_{FBAUX} = 80\text{ }\mu\text{A}$	0.61	0.65	0.69	V	
		$I_{FBAUX} = 120\text{ }\mu\text{A}$	0.57	0.62	0.67	V	
		$I_{FBAUX} = 240\text{ }\mu\text{A}$	0.47	0.52	0.57	V	
		$I_{FBAUX} = 360\text{ }\mu\text{A}$	0.41	0.46	0.51	V	
<b>Driver (pin FBDRIVER)</b>							
$I_{src(FBDRIVER)}$	source current on pin FBDRIVER	$V_{FBDRIVER} = 2\text{ V}$	-	-0.5	-	A	
$I_{sink(FBDRIVER)}$	sink current on pin FBDRIVER	$V_{FBDRIVER} = 2\text{ V}$	-	0.7	-	A	
		$V_{FBDRIVER} = 10\text{ V}$	-	1.2	-	A	
$V_{O(FBDRIVER)(max)}$	maximum output voltage on pin FBDRIVER		-	11	12	V	

**Table 5. Characteristics ...continued**

$T_{amb} = 25\text{ °C}$ ;  $V_{CC} = 20\text{ V}$ ; all voltages are measured with respect to ground (pin 2); currents are positive when flowing into the IC; unless otherwise specified.

Symbol	Parameter	Conditions	Min	Typ	Max	Unit
<b>LATCH input (pin LATCH)</b>						
$V_{prot(LATCH)}$	protection voltage on pin LATCH		1.23	1.25	1.27	V
$I_{O(LATCH)}$	output current on pin LATCH	$V_{prot(LATCH)} < V_{LATCH} < V_{oc(LATCH)}$	-85	-80	-75	$\mu\text{A}$
$V_{en(LATCH)}$	enable voltage on pin LATCH	at start-up	1.30	1.35	1.40	V
$V_{hys(LATCH)}$	hysteresis voltage on pin LATCH	$V_{en(LATCH)} - V_{prot(LATCH)}$	80	100	140	mV
$V_{oc(LATCH)}$	open-circuit voltage on pin LATCH		2.65	2.9	3.15	V
<b>Temperature protection</b>						
$T_{pl(IC)}$	IC protection level temperature		130	140	150	$^{\circ}\text{C}$
$T_{pl(IC)hys}$	hysteresis of IC protection level temperature		-	10	-	$^{\circ}\text{C}$

- [1] For a typical application with a compensation network on pin PFCCOMP (see [Figure 3](#)).
- [2] Minimum required voltage change time for valley recognition on pin PFCAUX.
- [3] Minimum time required between demagnetization detection and  $\Delta V/\Delta t = 0$  on pin PFCAUX.
- [4] Guaranteed by design.

## 11. Application information

A power supply with the TEA1752(L)T consists of a power factor correction circuit followed by a flyback converter (See [Figure 18](#)).

Capacitor  $C_{VCC}$  buffers the IC supply voltage, which is powered via the high voltage rectified mains supply during start-up and via the auxiliary winding of the flyback converter during operation. Sense resistors  $R_{SENSE1}$  and  $R_{SENSE2}$  convert the current through MOSFETs S1 and S2 into a voltage on pins PFCSENSE and FBSENSE. The values of  $R_{SENSE1}$  and  $R_{SENSE2}$  define the maximum primary peak current on MOSFETs S1 and S2.

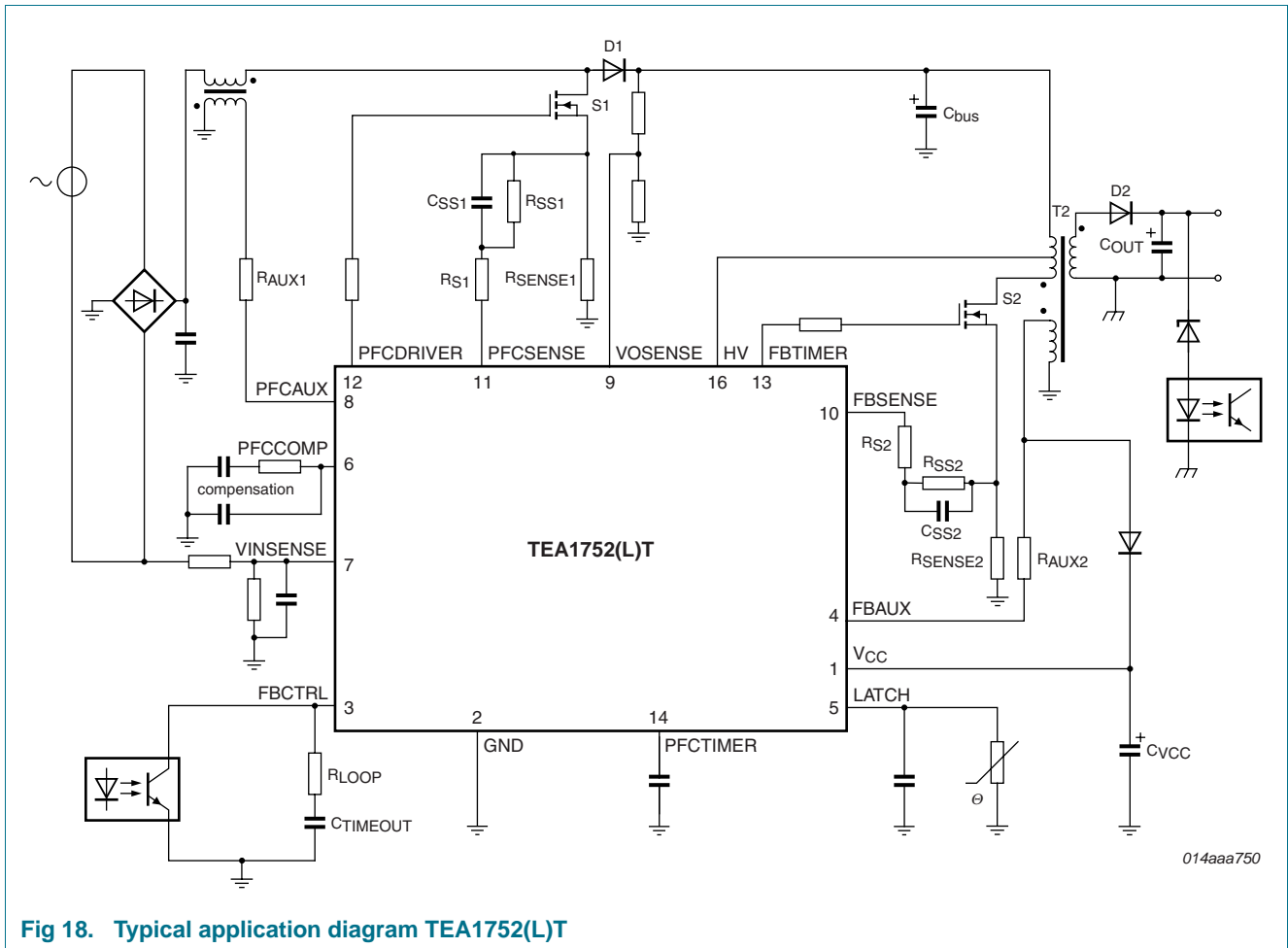
In the example shown in [Figure 18](#), the LATCH pin is connected to a Negative Temperature Coefficient (NTC) resistor. When the resistance drops below

$\frac{V_{prot(LATCH)}}{I_{O(LATCH)}} = 15.6 \text{ k}\Omega$  (typical), the protection is activated. A capacitor  $C_{TIMEOUT}$  is

connected to the FBCTRL pin. Time-out protection is activated typically after 10 ms for a 120 nF capacitor.  $R_{LOOP}$  is added so the time-out capacitor does not interfere with the normal regulation loop.

$R_{S1}$  and  $R_{S2}$  prevent the soft start capacitors from being charged during normal operation due to negative voltage spikes across the sense resistors.

Resistor  $R_{AUX1}$  protects the IC from damage during events such as lightning strikes.



12. Package outline

SO16: plastic small outline package; 16 leads; body width 3.9 mm

SOT109-1

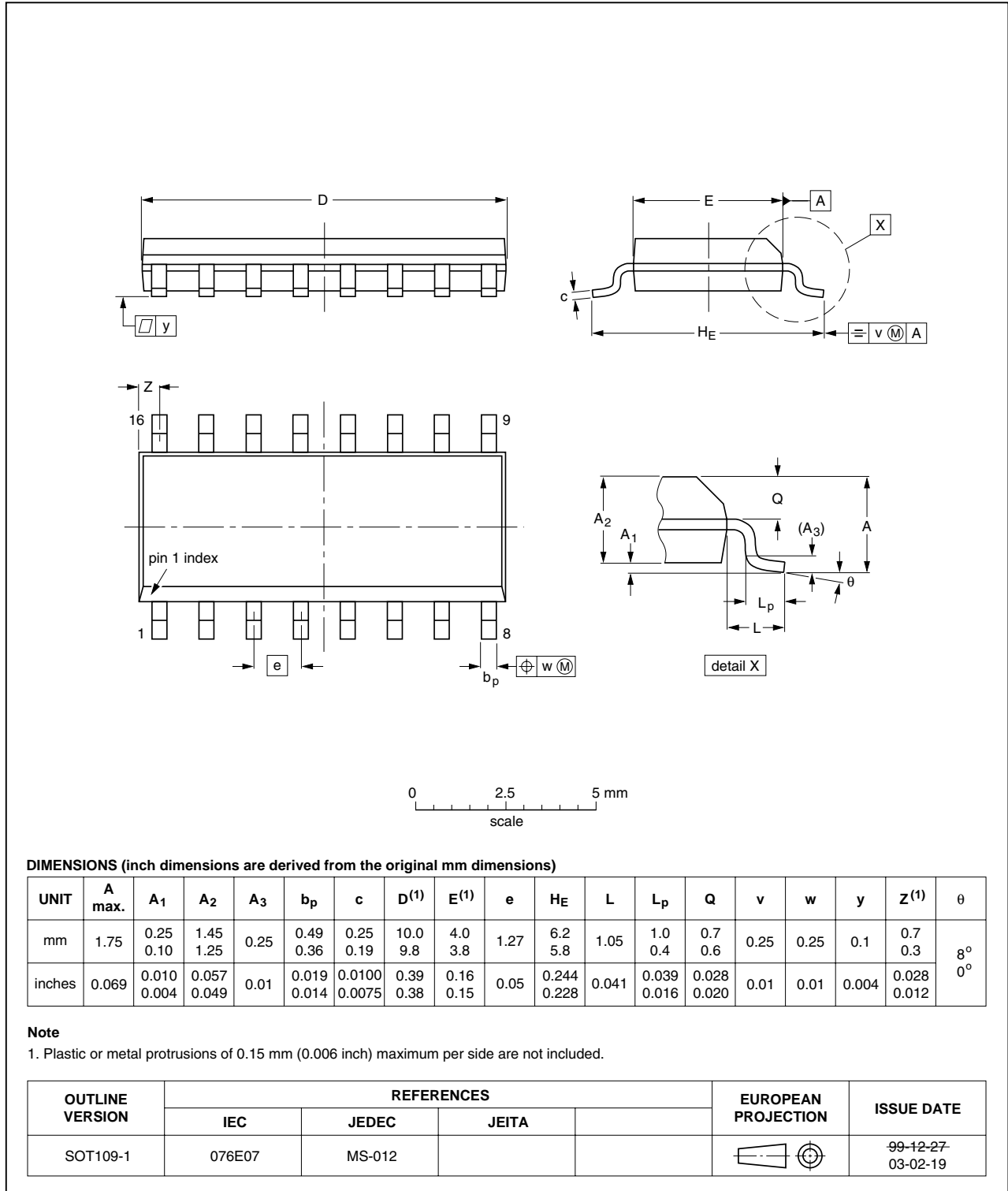


Fig 19. Package outline SOT109-1 (SO16)

## 13. Revision history

Table 6. Revision history

Document ID	Release date	Data sheet status	Change notice	Supersedes
TEA1752T_LT v.2	20100624	Product data sheet	-	TEA1752T_LT_1
Modifications	<ul style="list-style-type: none"> <li>• Template upgraded to Rev 2.12.0 including revised legal information.</li> <li>• Text and drawings updated throughout entire data sheet.</li> <li>• <a href="#">Figure 1</a> updated.</li> <li>• <math>V_{\text{stop(soft)PFC}}</math> added in <a href="#">Table 5</a>.</li> <li>• Minimum junction temperature changed in <a href="#">Table 3</a>.</li> </ul>			
TEA1752T_LT_1	20090213	Objective data sheet	-	-

## 14. Legal information

### 14.1 Data sheet status

Document status <sup>[1][2]</sup>	Product status <sup>[3]</sup>	Definition
Objective [short] data sheet	Development	This document contains data from the objective specification for product development.
Preliminary [short] data sheet	Qualification	This document contains data from the preliminary specification.
Product [short] data sheet	Production	This document contains the product specification.

[1] Please consult the most recently issued document before initiating or completing a design.

[2] The term 'short data sheet' is explained in section "Definitions".

[3] The product status of device(s) described in this document may have changed since this document was published and may differ in case of multiple devices. The latest product status information is available on the Internet at URL <http://www.nxp.com>.

### 14.2 Definitions

**Draft** — The document is a draft version only. The content is still under internal review and subject to formal approval, which may result in modifications or additions. NXP Semiconductors does not give any representations or warranties as to the accuracy or completeness of information included herein and shall have no liability for the consequences of use of such information.

**Short data sheet** — A short data sheet is an extract from a full data sheet with the same product type number(s) and title. A short data sheet is intended for quick reference only and should not be relied upon to contain detailed and full information. For detailed and full information see the relevant full data sheet, which is available on request via the local NXP Semiconductors sales office. In case of any inconsistency or conflict with the short data sheet, the full data sheet shall prevail.

**Product specification** — The information and data provided in a Product data sheet shall define the specification of the product as agreed between NXP Semiconductors and its customer, unless NXP Semiconductors and customer have explicitly agreed otherwise in writing. In no event however, shall an agreement be valid in which the NXP Semiconductors product is deemed to offer functions and qualities beyond those described in the Product data sheet.

### 14.3 Disclaimers

**Limited warranty and liability** — Information in this document is believed to be accurate and reliable. However, NXP Semiconductors does not give any representations or warranties, expressed or implied, as to the accuracy or completeness of such information and shall have no liability for the consequences of use of such information.

In no event shall NXP Semiconductors be liable for any indirect, incidental, punitive, special or consequential damages (including - without limitation - lost profits, lost savings, business interruption, costs related to the removal or replacement of any products or rework charges) whether or not such damages are based on tort (including negligence), warranty, breach of contract or any other legal theory.

Notwithstanding any damages that customer might incur for any reason whatsoever, NXP Semiconductors' aggregate and cumulative liability towards customer for the products described herein shall be limited in accordance with the *Terms and conditions of commercial sale* of NXP Semiconductors.

**Right to make changes** — NXP Semiconductors reserves the right to make changes to information published in this document, including without limitation specifications and product descriptions, at any time and without notice. This document supersedes and replaces all information supplied prior to the publication hereof.

**Suitability for use** — NXP Semiconductors products are not designed, authorized or warranted to be suitable for use in life support, life-critical or safety-critical systems or equipment, nor in applications where failure or

malfunction of an NXP Semiconductors product can reasonably be expected to result in personal injury, death or severe property or environmental damage. NXP Semiconductors accepts no liability for inclusion and/or use of NXP Semiconductors products in such equipment or applications and therefore such inclusion and/or use is at the customer's own risk.

**Applications** — Applications that are described herein for any of these products are for illustrative purposes only. NXP Semiconductors makes no representation or warranty that such applications will be suitable for the specified use without further testing or modification.

Customers are responsible for the design and operation of their applications and products using NXP Semiconductors products, and NXP Semiconductors accepts no liability for any assistance with applications or customer product design. It is customer's sole responsibility to determine whether the NXP Semiconductors product is suitable and fit for the customer's applications and products planned, as well as for the planned application and use of customer's third party customer(s). Customers should provide appropriate design and operating safeguards to minimize the risks associated with their applications and products.

NXP Semiconductors does not accept any liability related to any default, damage, costs or problem which is based on any weakness or default in the customer's applications or products, or the application or use by customer's third party customer(s). Customer is responsible for doing all necessary testing for the customer's applications and products using NXP Semiconductors products in order to avoid a default of the applications and the products or of the application or use by customer's third party customer(s). NXP does not accept any liability in this respect.

**Limiting values** — Stress above one or more limiting values (as defined in the Absolute Maximum Ratings System of IEC 60134) will cause permanent damage to the device. Limiting values are stress ratings only and (proper) operation of the device at these or any other conditions above those given in the Recommended operating conditions section (if present) or the Characteristics sections of this document is not warranted. Constant or repeated exposure to limiting values will permanently and irreversibly affect the quality and reliability of the device.

**Terms and conditions of commercial sale** — NXP Semiconductors products are sold subject to the general terms and conditions of commercial sale, as published at <http://www.nxp.com/profile/terms>, unless otherwise agreed in a valid written individual agreement. In case an individual agreement is concluded only the terms and conditions of the respective agreement shall apply. NXP Semiconductors hereby expressly objects to applying the customer's general terms and conditions with regard to the purchase of NXP Semiconductors products by customer.

**No offer to sell or license** — Nothing in this document may be interpreted or construed as an offer to sell products that is open for acceptance or the grant, conveyance or implication of any license under any copyrights, patents or other industrial or intellectual property rights.

**Export control** — This document as well as the item(s) described herein may be subject to export control regulations. Export might require a prior authorization from national authorities.



**Non-automotive qualified products** — Unless this data sheet expressly states that this specific NXP Semiconductors product is automotive qualified, the product is not suitable for automotive use. It is neither qualified nor tested in accordance with automotive testing or application requirements. NXP Semiconductors accepts no liability for inclusion and/or use of non-automotive qualified products in automotive equipment or applications.

In the event that customer uses the product for design-in and use in automotive applications to automotive specifications and standards, customer (a) shall use the product without NXP Semiconductors' warranty of the product for such automotive applications, use and specifications, and (b) whenever customer uses the product for automotive applications beyond NXP Semiconductors' specifications such use shall be solely at customer's

own risk, and (c) customer fully indemnifies NXP Semiconductors for any liability, damages or failed product claims resulting from customer design and use of the product for automotive applications beyond NXP Semiconductors' standard warranty and NXP Semiconductors' product specifications.

## 14.4 Trademarks

Notice: All referenced brands, product names, service names and trademarks are the property of their respective owners.

**GreenChip** — is a trademark of NXP B.V.

## 15. Contact information

For more information, please visit: <http://www.nxp.com>

For sales office addresses, please send an email to: [salesaddresses@nxp.com](mailto:salesaddresses@nxp.com)

16. Contents

<b>1</b>	<b>General description</b> . . . . .	<b>1</b>	7.3.10	Overpower protection . . . . .	20
<b>2</b>	<b>Features and benefits</b> . . . . .	<b>1</b>	7.3.11	Driver (pin FBDRIVER) . . . . .	21
2.1	Distinctive features . . . . .	1	<b>8</b>	<b>Limiting values</b> . . . . .	<b>21</b>
2.2	Green features . . . . .	1	<b>9</b>	<b>Thermal characteristics</b> . . . . .	<b>22</b>
2.3	PFC green features . . . . .	2	<b>10</b>	<b>Characteristics</b> . . . . .	<b>22</b>
2.4	Flyback green features . . . . .	2	<b>11</b>	<b>Application information</b> . . . . .	<b>28</b>
2.5	Protection features . . . . .	2	<b>12</b>	<b>Package outline</b> . . . . .	<b>30</b>
<b>3</b>	<b>Applications</b> . . . . .	<b>2</b>	<b>13</b>	<b>Revision history</b> . . . . .	<b>31</b>
<b>4</b>	<b>Ordering information</b> . . . . .	<b>3</b>	<b>14</b>	<b>Legal information</b> . . . . .	<b>32</b>
<b>5</b>	<b>Block diagram</b> . . . . .	<b>4</b>	14.1	Data sheet status . . . . .	32
<b>6</b>	<b>Pinning information</b> . . . . .	<b>5</b>	14.2	Definitions . . . . .	32
6.1	Pinning . . . . .	5	14.3	Disclaimers . . . . .	32
6.2	Pin description . . . . .	5	14.4	Trademarks . . . . .	33
<b>7</b>	<b>Functional description</b> . . . . .	<b>6</b>	<b>15</b>	<b>Contact information</b> . . . . .	<b>33</b>
7.1	General control . . . . .	6	<b>16</b>	<b>Contents</b> . . . . .	<b>34</b>
7.1.1	Start-up and UnderVoltage LockOut (UVLO) . . . . .	6			
7.1.2	Supply management . . . . .	8			
7.1.3	Latch input . . . . .	8			
7.1.4	Fast latch reset . . . . .	9			
7.1.5	OverTemperature Protection (OTP) . . . . .	9			
7.2	Power Factor Correction circuit (PFC) . . . . .	9			
7.2.1	t <sub>on</sub> control . . . . .	9			
7.2.2	Valley switching and demagnetization (PFCAUX pin) . . . . .	9			
7.2.3	Frequency limitation . . . . .	10			
7.2.4	Mains voltage compensation (VINSENSE pin) . . . . .	10			
7.2.5	Soft start-up (pin PFCSENSE) . . . . .	10			
7.2.6	Low power mode . . . . .	11			
7.2.7	PFC off delay (pin PFCTIMER) . . . . .	11			
7.2.8	Dual boost PFC . . . . .	12			
7.2.9	Overcurrent protection (PFCSENSE pin) . . . . .	12			
7.2.10	Mains undervoltage lockout/brownout protection (VINSENSE pin) . . . . .	12			
7.2.11	Overvoltage protection (VOSENSE pin) . . . . .	13			
7.2.12	PFC open-loop protection (VOSENSE pin) . . . . .	13			
7.2.13	Driver (pin PFCDRIVER) . . . . .	13			
7.3	Flyback controller . . . . .	13			
7.3.1	Multimode operation . . . . .	13			
7.3.2	Valley switching (HV pin) . . . . .	15			
7.3.3	Current mode control (FBSENSE pin) . . . . .	16			
7.3.4	Demagnetization (FBAUX pin) . . . . .	17			
7.3.5	Flyback control/time-out (FBCTRL pin) . . . . .	17			
7.3.6	Soft start-up (pin FBSENSE) . . . . .	18			
7.3.7	Maximum on-time . . . . .	19			
7.3.8	Overvoltage protection (FBAUX pin) . . . . .	19			
7.3.9	Overcurrent protection (FBSENSE pin) . . . . .	20			

Please be aware that important notices concerning this document and the product(s) described herein, have been included in section 'Legal information'.

© NXP B.V. 2010. All rights reserved.

For more information, please visit: <http://www.nxp.com>  
 For sales office addresses, please send an email to: [salesaddresses@nxp.com](mailto:salesaddresses@nxp.com)

Date of release: 24 June 2010  
 Document identifier: TEA1752T\_LT